

GFB19S1HC

ProfiLine



 GERMAN
ENGINEERING

LIEBHERR

Quality, Design and Innovation

Food Service Freezer with Bottom Mount Compressor



Intertek

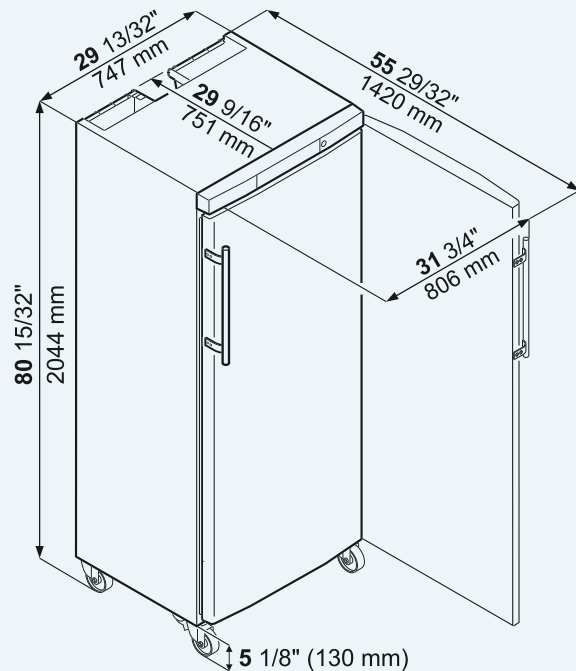


Intertek



Single Door Freezer with Bottom Mount Compressor	GFB19S1HC ProfileLine	No Frost
Total gross/net capacity cu.ft. (l)	19.5/16.7 (556/475)	
Exterior dimensions in inches (w/d/h) in mm (w/d/h)	29 7/16"/29 5/8"/80 1/2" 747/751/2044	
Interior dimensions in inches (w/d/h) in mm (w/d/h)	24 1/16"/19 11/16"/54 15/16" 610/500/1395	
Energy consumption in 365 days *	1171 kWh	
Ambient temperature in °F (°C)	61°F to 104°F (16°C to 40°C)	
Refrigerant	R290	
Sound rating **	62 dB(A)	
Connection rating	5.0 A/110 W	
Frequency/voltage	60 Hz/115V~	
Cooling system	forced-air	
Defrost	automatic	
Temperature range in °F (°C)	14°F to -13°F (-10°C to -25°C)	
External cabinet finish	stainless steel	
Door/lid material	stainless steel	
Internal liner material	commercial grade molded polystyrol	
Type of control	electronic control	
Temperature display	external digital	
Alarm	visual and audible	
Interior light	n/a	
Adjustable shelves	5	
Shelf material	clear-coated wire shelves	
Shelf load weight in lbs (kg)	132.3 (60)	
Usable shelf area in inches (mm)	24 1/16"/19 11/16" (610/500)	
Casters	casters with brake at the front, fixed casters at the rear	
Handle	stainless steel slimline door handle	
Lock	recessed	
Self-closing door	yes	
Door hinges	right, reversible on site	
Insulation in inches (mm)	2 13/16" (70)	
Gross/net weight in lbs (kg)	273.4/253.5 (124/115)	
Accessories		
Wire shelf	7112059	

Unit Dimensions



* Measured unloaded at 80°F (26.6°C) ambient temperature with set point of 0°F (-17.7°C).

** Noise level – sound power re 1pW – according to IEC 60704-2-14.

Subject to modification. For up-to-date information, visit home.liebherr.com.