

PROJECT	QUANTITY	ITEM NO
---------	----------	---------

# Automatic Breeding Machine

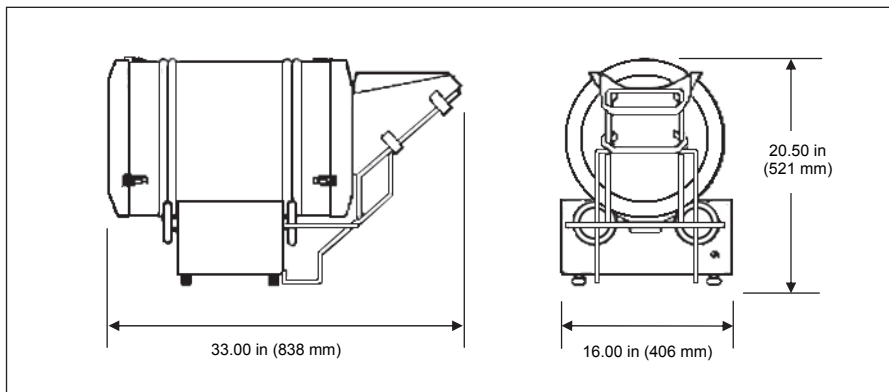
**BM 110**



BM 110 Automatic breeding machine

Henny Penny automatic breeding machines are designed to provide high volume fried chicken operations with a constant supply of freshly breaded product.

The BM 110 automatic breeding machine uses a rotating drum to gently tumble food through breading at a rate of up to 400 lb (181 kg) per hour. This compact tabletop unit will give your freshly breaded products a consistent look, taste and texture, while saving labor and reducing breading and product waste.



### Dimensions

Height	20.50 in	(521 mm)
Width	33.00 in	(838 mm)
Depth	16.00 in	(406 mm)

### Crated

Length	33 in	(840 mm)
Depth	17 in	(430 mm)
Height	22 in	(560 mm)
Volume	7.2 ft <sup>3</sup>	(0.20 m <sup>3</sup> )
Weight	66 lb	(30 kg)

### Drum capacity

Product	25 lb (4.5 kg) per load
Throughput	400 lb (181 kg) per hour

### Standard Features

- Large 10 lb (4.5 kg) capacity stainless steel drum and paddles produce continuous feed and tumbling action
- Gentle tumbling action promotes even coverage while saving up to 25 percent on breading usage
- Compact design requires only three linear feet of counter space, plus catch pan
- Heavy duty motor with chain drive operates at a minimum of 8 rpm to eliminate slippage and reduce wear
- Single switch control
- Adjustable leveling legs
- Quick disassembly for dishwasher-safe cleaning

### Electrical

Volts	Phase	Hertz	kW	Amps	Wire
120	1	50-60	0.18	0.4	2+G
240	1	50-60	0.18	0.2	2+G

Plug included with 120 V unit

NEMA 5-15P



### Laboratory certifications



Continuing product improvement may subject specifications to change without notice.

### Bidding specifications

Provide Henny Penny model BM 110 Automatic Breeding Machine designed to "tumble" bread up to 400 lb (181 kg) of product per hour.

Unit shall incorporate:

- Heavy duty motor with 8 rpm minimum drum rotation to protect motor from excess wear
- High-quality stainless steel drum and paddle assembly
- Disassembly for easy cleaning
- 6 ft (1.8 m) power cord and plug with 120 V unit

<input type="checkbox"/> APPROVED	<input type="checkbox"/> APPROVED AS NOTED	<input type="checkbox"/> RESUBMIT
AUTHORIZED SIGNATURE		DATE

Henny Penny Corporation  
PO Box 60 Eaton OH 45320 USA

+1 937.456.8400 800.417.8417  
+1 937.456.8434 Fax 800.417.8434 Fax  
+1.800.417.8405 Technical Support

[www.hennypenny.com](http://www.hennypenny.com)

**HENNY PENNY**  
Engineered to Last