

GFB19W1HC

ProfiLine



LIEBHERR

Quality, Design and Innovation

Food Service Freezer with Bottom Mount Compressor



Intertek

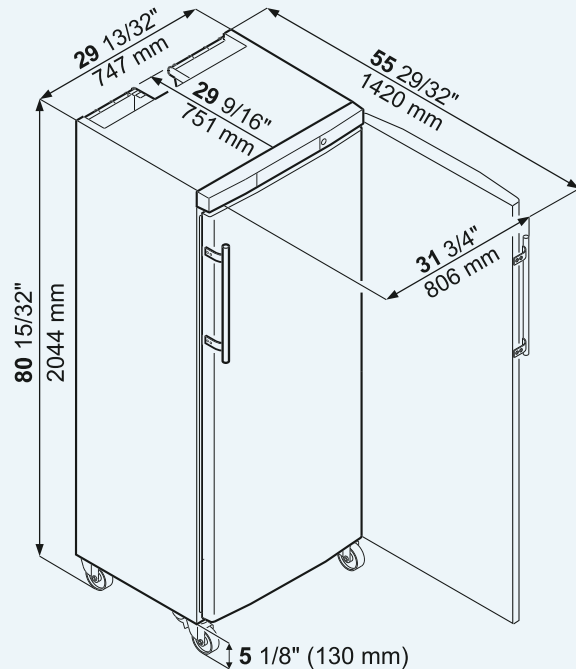


Intertek



Single Door Freezer with Bottom Mount Compressor	GFB19W1HC ProfileLine	No Frost
Total gross/net capacity cu.ft. (l)	19.5/16.7 (556/475)	
Exterior dimensions in inches (w/d/h) in mm (w/d/h)	29 7/16"/29 5/8"/80 1/2" 747/751/2044	
Interior dimensions in inches (w/d/h) in mm (w/d/h)	24 1/16"/19 11/16"/54 15/16" 610/500/1395	
Energy consumption in 365 days*	1171 kWh	
Ambient temperature in °F (°C)	61°F to 104°F (16°C to 40°C)	
Refrigerant	R290	
Sound rating**	62 dB(A)	
Connection rating	5.0 A/110 W	
Frequency/voltage	60 Hz/115V~	
Cooling system	forced-air	
Defrost	automatic	
Temperature range in °F (°C)	14°F to -13°F (-10°C to -25°C)	
External cabinet finish	steel/white	
Door/lid material	steel	
Internal liner material	commercial grade molded polystyrol	
Type of control	electronic control	
Temperature display	external digital	
Alarm	visual and audible	
Interior light	n/a	
Adjustable shelves	5	
Shelf material	clear-coated wire shelves	
Shelf load weight in lbs (kg)	132.3 (60)	
Usable shelf area in inches (mm)	24 1/16"/19 11/16" (610/500)	
Casters	casters with brake at the front, fixed casters at the rear	
Handle	ergonomic slimline handle	
Lock	recessed	
Self-closing door	yes	
Door hinges	right, reversible on site	
Insulation in inches (mm)	2 13/16" (70)	
Gross/net weight in lbs (kg)	273.4/255.7 (124/116)	
Accessories		
Wire shelf	7112059	

Unit Dimensions



Subject to modification. For up-to-date information, visit home.liebherr.com.

* Measured unloaded at 80°F (26.6°C) ambient temperature with set point of 0°F (-17.7°C).
 ** Noise level – sound power re 1pW – according to IEC 60704-2-14.