

GRT50S2HC

ProfiLine



LIEBHERR

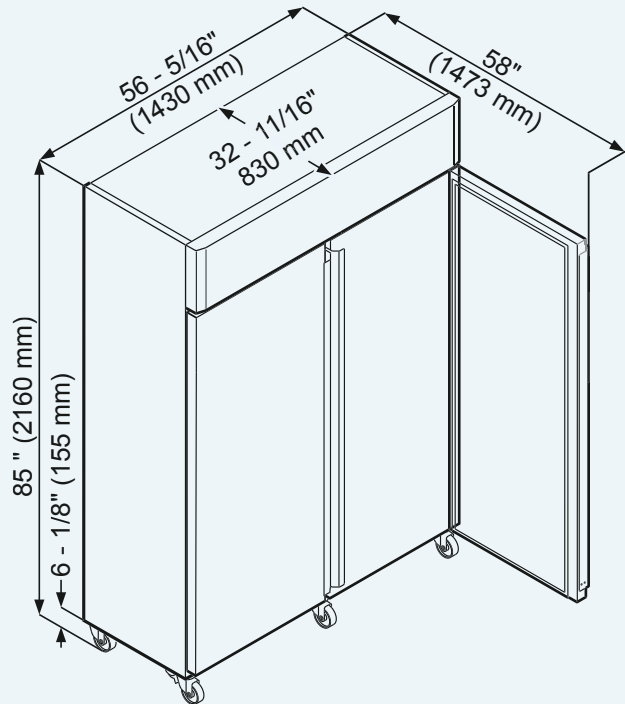
Quality, Design and Innovation

Food Service Refrigerator with Top Mount Compressor and Stainless Steel Inner Liner



Double Door Refrigerator with Top Mount Compressor		GRT50S2HC Profiline	
Total gross/net capacity cu.ft. (l)	47.7/46.3 (1361/1322)		
Exterior dimensions in inches (w/d/h)	56 5/16"/32 11/16"/85 1/16"		
in mm (w/d/h)	1430/830/2160		
Interior dimensions in inches (w/d/h)	48 11/16"/25 5/8"/59 1/16"		
in mm (w/d/h)	1236/650/1500		
Energy consumption in 365 days *	767 kWh		
Ambient temperature in °F (°C)	61°F to 109°F (16°C to 43°C)		
Refrigerant	R290		
Sound rating **	62 dB(A)		
Connection rating	5.0 A/500 W		
Frequency/voltage	60 Hz/115V~		
Cooling system	forced-air		
Defrost	automatic		
Temperature range in °F (°C)	28°F to 61°F (-2°C to 16°C)		
External cabinet finish	stainless steel		
Door/lid material	stainless steel		
Internal liner material	stainless steel		
Type of control	electronic control		
Temperature display	external digital		
Alarm	visual and audible		
Alarm forwarding	yes		
Interior light	LED ceiling light		
Adjustable shelves	8		
Shelf material	clear-coated wire shelves		
Shelf load weight in lbs (kg)	132.3 (60)		
Usable shelf area in inches (mm)	48 11/16"/25 1/4" (1236/640)		
Casters	casters with brake at the front, fixed casters at the rear		
Handle	full-length integrated handle		
Lock	recessed		
Self-closing door	yes		
Door hinges	left fixed/right fixed		
Insulation in inches (mm)	3 5/16" – 2 3/8" (83 – 60)		
Gross/net weight in lbs (kg)	542.3/440.9 (246/200)		
Accessories			
U-shaped tray slide, right/left	9001761/9001757		
Wire shelf/Foot pedal opener	7113331/9591579		

Unit Dimensions



* Measured unloaded at 80°F (26.6°C) ambient temperature with set point of 38°F (3.3°C).
 ** Noise level – sound power re 1pW – according to IEC 60704-2-14.

Subject to modification. For up-to-date information, visit home.liebherr.com.