

GRB23W1HC

ProfiLine



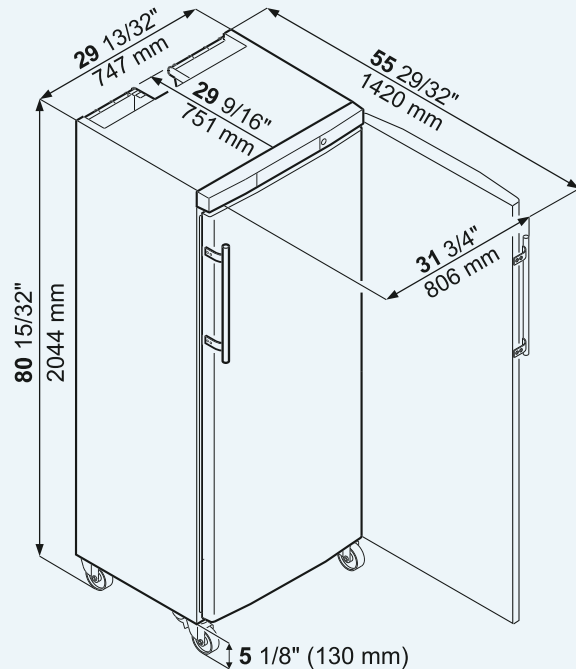
LIEBHERR

Quality, Design and Innovation

Food Service Refrigerator with Bottom Mount Compressor



Unit Dimensions



Single Door Refrigerator with Bottom Mount Compressor	GRB23W1HC Profiline	LED
Total gross/net capacity cu.ft. (l)	23.3/22.0 (664/627)	
Exterior dimensions in inches (w/d/h) in mm (w/d/h)	29 7/16"/29 5/8"/80 1/2" 747/751/2044	
Interior dimensions in inches (w/d/h) in mm (w/d/h)	25 5/8"/22 7/8"/67 3/8" 650/581/1710	
Energy consumption in 365 days *	344 kWh	
Ambient temperature in °F (°C)	50°F to 95°F (10°C to 35°C)	
Refrigerant	R290	
Sound rating **	55 dB(A)	
Connection rating	3.0 A/100 W	
Frequency/voltage	60 Hz/115V~	
Cooling system	forced-air	
Defrost	automatic	
Temperature range in °F (°C)	34°F to 59°F (1°C to 15°C)	
External cabinet finish	steel/white	
Door/lid material	steel	
Internal liner material	commercial grade molded polystyrol	
Type of control	electronic control	
Temperature display	external digital	
Alarm	visual and audible	
Interior light	LED	
Adjustable shelves	6	
Shelf material	clear-coated wire shelves	
Shelf load weight in lbs (kg)	132.3 (60)	
Usable shelf area in inches (mm)	25 5/8"/20 7/8" (650/530)	
Casters	casters with brake at the front, fixed casters at the rear	
Handle	ergonomic slimline handle	
Lock	recessed	
Self-closing door	yes	
Door hinges	right, reversible on site	
Insulation in inches (mm)	2" (50)	
Gross/net weight in lbs (kg)	246.9/227.1 (112/103)	
Accessories		
Wire shelf	7112439	

* Measured unloaded at 80°F (26.6°C) ambient temperature with set point of 38°F (3.3°C).

** Noise level – sound power re 1pW – according to IEC 60704-2-14.

Subject to modification. For up-to-date information, visit home.liebherr.com.