

LRB23W1HC

MediLine



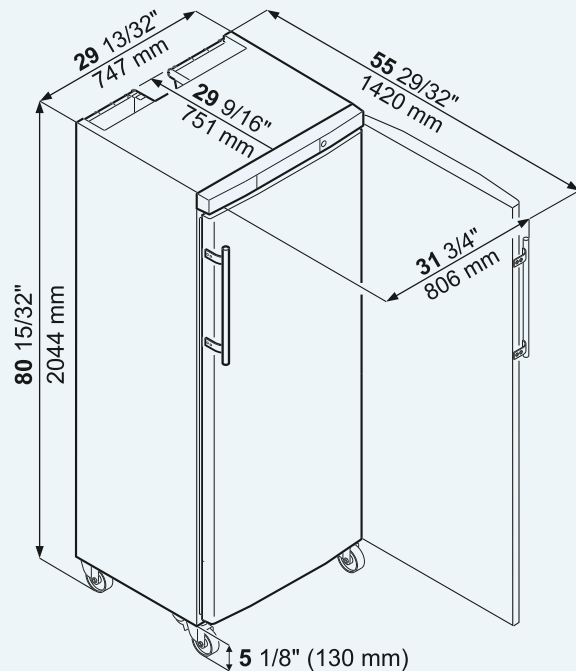
LIEBHERR

Quality, Design and Innovation

Laboratory Refrigerator with Bottom Mount Compressor and Electronic Controls



Unit Dimensions



Laboratory refrigerator with electronic controls	LRB23W1HC MediLine	LED
Total gross/net capacity I (cu.ft.)	664/627 (23.3/22.0)	
Exterior dimensions in mm (w/d/h)	747/750/2044	
in inches (w/d/h)	29 7/16"/29 9/16"/80 1/2"	
Interior dimensions in mm (w/d/h)	650/581/1710	
in inches (w/d/h)	25 5/8"/22 7/8"/67 3/8"	
Energy consumption in 365 days *	344 kWh	
Ambient temperature in °C (°F)	10°C to 35°C (50°F to 95°F)	
Refrigerant	R290	
Sound rating **	55 dB(A)	
Connection rating	3.0 A	
Frequency/voltage	60 Hz/115V~	
Cooling system	forced-air	
Defrost	automatic	
Temperature range in °C (°F)	3°C to 16°C (37°F to 61°F)	
External cabinet finish	steel/white	
Door/lid material	steel	
Internal liner material	commercial grade molded polystyrol	
Type of control	electronic control	
Temperature display	external digital	
Alarm	visual and audible	
Alarm forwarding	yes	
Interior light	LED light	
Adjustable shelves	6	
Shelf material	wire shelves plastic-coated	
Shelf load weight in kg (lbs)	60 (132.3)	
Usable shelf area in mm (inches)	650/530 (25 5/8"/20 7/8")	
Casters	casters with brake at the front, fixed casters at the rear	
Handle	ergonomic slimline handle	
Lock	recessed	
Self-closing door	yes	
Door hinges	right, reversible on site	
Insulation in mm (inches)	50 (2")	
Gross/net weight in kg (lbs)	113/103 (249.1/227.1)	
Accessories		
Shelf, plastic-coated	7113485	

* Measured unloaded at 26.6°C (80°F) ambient temperature with set point of 3.3°C (38°F).

** Noise level – sound power re 1pW – according to IEC 60704-2-14.

Subject to alterations.