

# Work Table

## SCT-800 Rotisserie Table

*Work tables give foodservice operators a sturdy and clean surface to place rotisseries when built-in countertops are not available.*

### Description

Henny Penny Rotisserie Table is designed to provide a base to mount the Henny Penny SCR-6 or SCR-8 countertop Rotisseries.

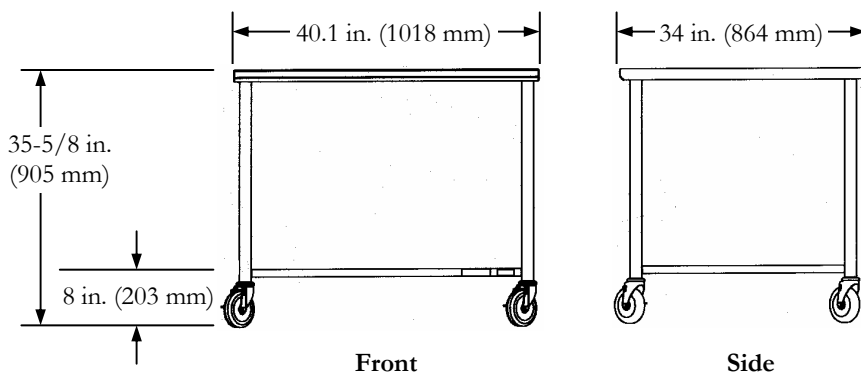
### Main Features

- Sturdy stainless steel construction.
- Four heavy-duty casters; two locking.
- Convenient lower storage shelf.



*Above: SCT-800 Rotisserie Table*

Specifications	SCT-800
Height	35-5/8 in. (905 mm)
Width	40.1 in. (1018 mm)
Depth	34 in. (864 mm)
Floor Space	10 sq. ft. (1 m <sup>2</sup> )
Listings	UL Sanitation



**Henny Penny Corporation**  
PO Box 60  
Eaton OH 45320 USA

+1 937 456.8400  
+1 937 456.8402 Fax

**Toll free in USA**  
800 417.8417  
800 417.8402 Fax

[www.hennypenny.com](http://www.hennypenny.com)