

# GFT50S2HC

ProfiLine



# LIEBHERR

Quality, Design and Innovation

# Food Service Freezer with Top Mount Compressor and Stainless Steel Inner Liner

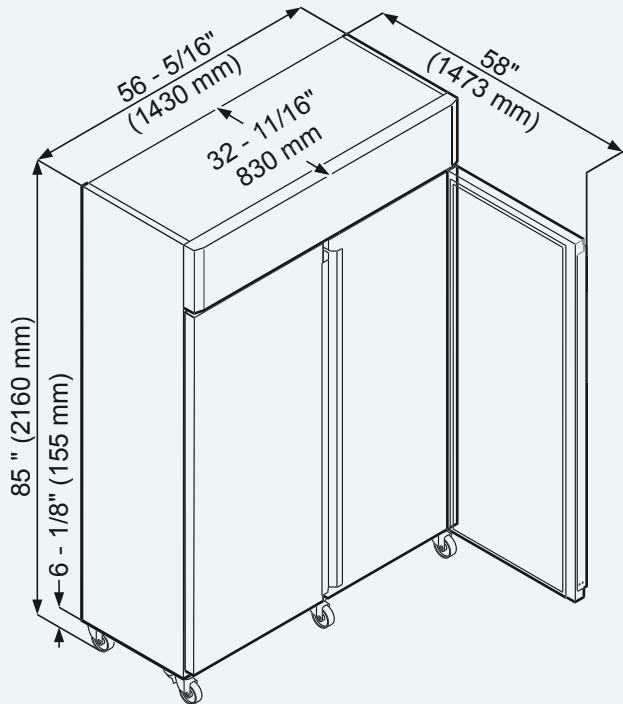


## Double Door Freezer with Top Mount Compressor

## GFT50S2HC Profiline

Total gross/net capacity cu.ft. (l)	47.7/46.3 (1361/1322)
Exterior dimensions in inches (w/d/h) in mm (w/d/h)	56 5/16"/32 11/16"/85 1/16" 1430/830/2160
Interior dimensions in inches (w/d/h) in mm (w/d/h)	48 11/16"/25 5/8"/59 1/16" 1236/650/1500
Energy consumption in 365 days *	2482 kWh
Ambient temperature in °F (°C)	61°F to 109°F (16°C to 43°C)
Refrigerant	R290
Sound rating **	65 dB(A)
Connection rating	10.0 A/700 W
Frequency/voltage	60 Hz/115V~
Cooling system	forced-air
Defrost	automatic
Temperature range in °F (°C)	14°F to -13°F (-10°C to -25°C)
External cabinet finish	stainless steel
Door/lid material	stainless steel
Internal liner material	stainless steel
Type of control	electronic control
Temperature display	external digital
Alarm	visual and audible
Alarm forwarding	yes
Interior light	LED ceiling light
Adjustable shelves	8
Shelf material	clear-coated wire shelves
Shelf load weight in lbs (kg)	132.3 (60)
Usable shelf area in inches (mm)	48 11/16"/25 1/4" (1236/640)
Casters	casters with brake at the front, fixed casters at the rear
Handle	full-length integrated handle
Lock	recessed
Self-closing door	yes
Door hinges	left fixed/right fixed
Insulation in inches (mm)	3 5/16" - 2 3/8" (83 - 60)
Gross/net weight in lbs (kg)	557.8/458.6 (253/208)
<b>Accessories</b>	
U-shaped tray slide, right/left	9001761/9001757
Wire shelf/Foot pedal opener	7113331/9591579

## Unit Dimensions



\* Measured unloaded at 80°F (26.6°C) ambient temperature with set point of 0°F (-17.7°C).  
 \*\* Noise level – sound power re 1pW – according to IEC 60704-2-14.

Subject to modification. For up-to-date information, visit [home.liebherr.com](http://home.liebherr.com).