

# GFT21S1HC

---

ProfiLine



# LIEBHERR

Quality, Design and Innovation

# Food Service Freezer with Top Mount Compressor and Stainless Steel Inner Liner

## Single Door Freezer

with Top Mount Compressor

## GFT21S1HC

Profiline



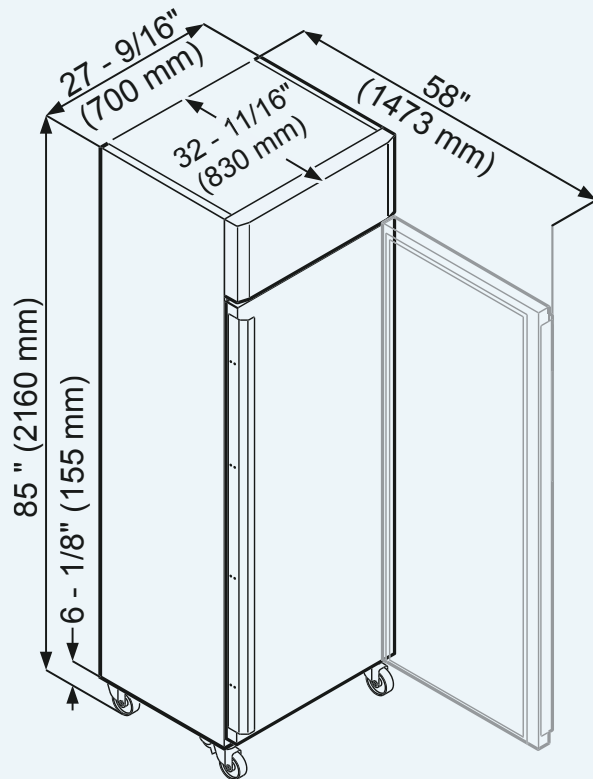
Total gross/net capacity cu.ft. (l)	20.9/20.3 (597/580)
Exterior dimensions in inches (w/d/h)	27 9/16"/32 11/16"/85 1/16"
in mm (w/d/h)	700/830/2160
Interior dimensions in inches (w/d/h)	20 1/8"/25 5/8"/59 1/16"
in mm (w/d/h)	510/650/1500
Energy consumption in 365 days *	1351 kWh
Ambient temperature in °F (°C)	61°F to 109°F (16°C to 43°C)
Refrigerant	R290
Sound rating **	65 dB(A)
Connection rating	10.0 A/700 W
Frequency/voltage	60 Hz/115V~
Cooling system	forced-air
Defrost	automatic
Temperature range in °F (°C)	14°F to -13°F (-10°C to -25°C)
External cabinet finish	stainless steel
Door/lid material	stainless steel
Internal liner material	stainless steel
Type of control	electronic control
Temperature display	external digital
Alarm	visual and audible
Alarm forwarding	yes
Interior light	LED ceiling light
Adjustable shelves	4
Shelf material	clear-coated wire shelves
Shelf load weight in lbs (kg)	132.3 (60)
Usable shelf area in inches (mm)	20 1/8"/25 1/4" (510/640)
Casters	casters with brake at the front, fixed casters at the rear
Handle	full-length integrated handle
Lock	recessed
Self-closing door	yes
Door hinges	right, reversible on site
Insulation in inches (mm)	3 5/16" - 2 3/8" (83-60)
Gross/net weight in lbs (kg)	346.1/288.8 (157/131)
<b>Accessories</b>	
Wire shelf	7113331
Foot pedal opener	9591579

\* Measured unloaded at 80°F (26.6°C) ambient temperature with set point of 0°F (-17.7°C).

\*\* Noise level – sound power re 1pW – according to IEC 60704-2-14.



## Unit Dimensions



Subject to modification. For up-to-date information, visit [home.liebherr.com](http://home.liebherr.com).