

# Rotisserie Merchandising

*Rotisserie merchandising equipment and accessories from Henny Penny can help improve sales and productivity in rotisserie programs.*



**SCD-6/SCD-8**  
Rotisserie Display for SCR-6  
and SCR-8 rotisseries

### Description

Henny Penny Rotisserie displays are designed to hold and display cooked chickens until carving, serving, or selling. Display units correspond dimensionally to rotisseries, which can be stacked on the displays to save space and provide convenient access.

- SCR-6 stacks on SCD-6
- SCR-8 stacks on SCD-8

### Features

- Durable stainless steel cabinet.
- Large tempered glass doors front and rear, shaded to match look of rotisseries.
- Magnetic door closures with optional customer side handle.
- Units hold full rotisserie loads.
- Incandescent lighting for warm, even illumination.
- Gentle even forced air heating.
- Fully insulated top and sidewalls.
- Removable drip tray for easy cleaning.
- Adjustable, removable wire shelves.



**RMB-363**  
Rotisserie Display Base

### Description

The Henny Penny Rotisserie Display Base is an attractive, sturdy unit specially designed to integrate rotisserie cooking and self-service merchandising into one convenient freestanding station. Designed for SCR-6 six spit rotisserie and HMR-3 three well self-serve merchandiser. (See separate data sheets for detailed information on rotisserie and merchandiser.)

### Features

- Sleek, attractive design
- Minimal surfaces for easy self-serve access and high visibility.
- Durable, easy-to-clean stainless steel.
- Base profile designed for recessed kicker.
- Protective bumper strip



**RSS-012/RSS-016**  
Rotisserie Spit Stand

### Description

Henny Penny's new Rotisserie Spit Stands make loading and unloading your Henny Penny Rotisserie easy and efficient. Simply place loaded spits or baskets on the rotisserie stand and take them where you need to go. Seasoning can be applied as you load the stand. A removable drip tray in the bottom of the stand catches drippings.

### Features

- Constructed of top quality stainless steel
- Accepts all types of Henny Penny spits and baskets
- Has four heavy-duty 5 in. (127 mm) locking swivel casters

### Henny Penny Corporation

P.O. Box 60  
Eaton, OH 45320

+1 937 456.8400  
+1 937 456.8402 Fax

**Toll free in USA**  
**800 417.8417**  
**800 417.8402 Fax**

[www.hennypenny.com](http://www.hennypenny.com)

# SCD-6 SCD-8 Specifications

**Clearances** Rear: 3 in. (76 mm) when stacked under rotisserie unit.

### Capacity

	No. of racks	On centers	Whole Chickens	
			per rack	Total
<b>SCD-6</b>	4	6 in. (152 mm)	4-6	Up to 24
	7	3 in. (152 mm)	-	-
<b>SCD-8</b>	5	6 in. (152 mm)	6-7	Up to 35
	9	3 in. (152 mm)	-	-

**Lighting** (4) 40 w bulbs

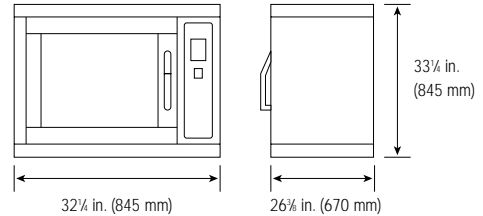
**Shipping weight** SCD-6: 315 lbs. (143 kg)  
SCD-8: 403 lbs. (183 kg)

**Listings** UL, UL Sanitation, CUL

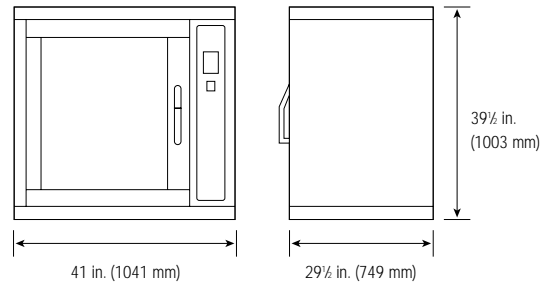
**Electrical** 208 or 240 v, 1 Phase,  
50 or 60 hz, 2.3 kw

**Dimensions** NOTE:  
Height: Add 5 1/2 in. (137 mm) for casters  
Depth: Add 4 1/2 in. (114 mm) for two door handles  
Width: Add 3 in. (76 mm) for electrical cord

### SCD-6



### SCD-8



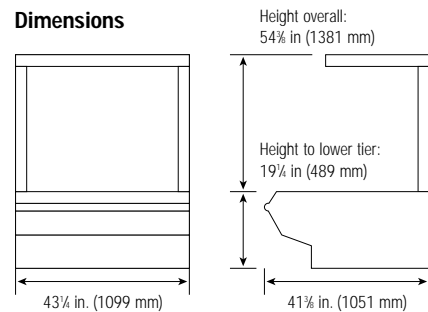
# RMB-363 Specifications

**Floor space** 12.4 sq. ft. (1.16 m<sup>2</sup>)

**Shipping weight** 433 lbs. (197 kg)

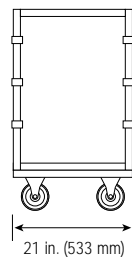
**Listings** UL Sanitation

### Dimensions

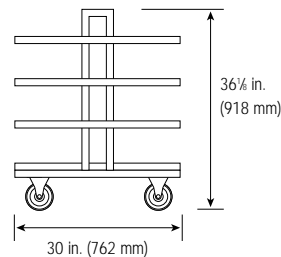


# RSS-012 RSS-016 Specifications

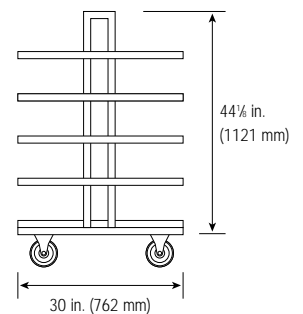
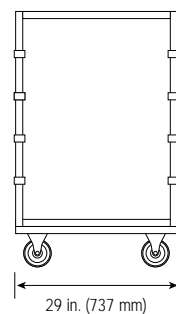
### Dimensions



### RSS-012



### RSS-016



**Floor space** 4.3 sq. ft. (.41 m<sup>2</sup>)  
**Spit racks** 3

**Capacity** 12 spits or baskets, 4 per rack  
on 8 in. (203 mm) centers

**Shipping weight** 97 lbs. (44 kg)

**Listings** UL Sanitation

**Floor space** 6 sq. ft. (.56 m<sup>2</sup>)  
**Spit racks** 4

**Capacity** 16 spits or baskets, 4 per rack  
on 8 in. (203 mm) centers

**Shipping weight** 97 lbs. (44 kg)

**Listings** UL Sanitation

Specifications subject to change without notice

Order from:

Manufactured by:

**Henny Penny Corporation**  
P.O. Box 60  
Eaton, OH 45320