

# 162

## Soft Serve Freezer

Twin Twist, Taylormate®

### Features

Offer all the popular soft serve variations from low or non-fat ice creams to custard, yogurt and sorbet. Serve two separate soft serve flavors, or an equal combination of both in a twist.

#### Freezing Cylinder

Two, 1.5 quart (1.4 liter).

#### Mix Hopper

Two, 8 quart (7.6 liter). Separate hopper refrigeration (SHR) maintains mix below 41°F (5°C) in Auto and Standby modes.

#### Indicator Lights

The Mix Low light alerts the operator to add mix.

#### Solid State Controls

Taylor Quality Control (TQC) precisely monitors viscosity to maintain consistent quality.

#### Standby

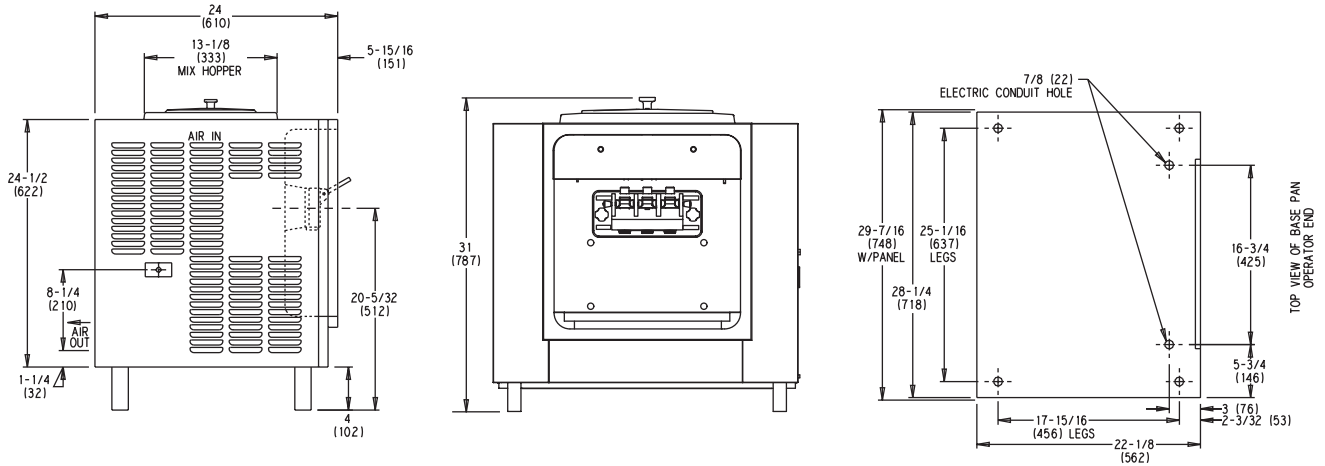
During long no-use periods, the standby feature maintains safe product temperatures in the mix hopper and freezing cylinder.



Standard 6

LISTED  
SA2650Selected 50  
Hz. Models

# 162 Soft Serve Freezer



NOTE: FIGURES IN PARENTHESES INDICATE MILLIMETERS.

Weights	lbs.	kgs.
Net	410	186.0
Crated	460	209.0
	cu. ft.	cu. m.
Volume	23.2	.65

Dimensions	in.	mm.
Width	29	737
Depth	24	610
Height	31	787
Counter Clearance	4-1/4	108

\*Mounted on standard legs

Electrical Connections	Maximum Fuse Size		Minimum Circuit Ampacity		Poles (P) Wires (W)
	Left	Right	Left	Right	
Two Dedicated					
115/60/1 Air	25	20	20	17	2P 3W
One Dedicated Connection					
208-230/60/1 Air	20		20		2P 3W
220-240/50/1 Air	20		18		2P 3W

This unit is manufactured in other electrical characteristics. Refer to the Distributor Data Book for availability. (For exact electrical information, always refer to the data label of the unit.)

### Bidding Specs

Electrical: Volt \_\_\_\_\_ Hz \_\_\_\_\_ ph \_\_\_\_\_  
 Neutral:  Yes  No    Cooling:  Air  Water  NA

Options: \_\_\_\_\_

## Specifications

### Electrical

One dedicated electrical connection is required, except 115 volt requires two dedicated connections. See the Electrical chart for the proper electrical requirements. Manufactured to be permanently connected. Consult your local Taylor distributor for cord & receptacle specifications as local codes allow.

### Beater Motor

Two, 0.5 HP

### Refrigeration System

Two, 3,000 BTU/hr. R404A.  
 Separate Hopper Refrigeration (SHR), One, 400 BTU/hr. R134a.  
 (BTUs may vary depending on compressor used.)

### Air Cooled

Minimum 6" (152 mm) on all sides. Install the skirt provided on the rear of the unit to prevent recirculation of warm air. Minimum air clearances must be met to assure adequate air flow for optimum performance.

## Options

- Cone Dispenser
- Faucet
- Panel Spinner
- Self Service Package (includes hopper locks, mix low chime, self service decal & flavor pads, and sneeze guard)

Continuing research results in steady improvements; therefore, these specifications are subject to change without notice.



**Taylor Company,**  
 a division of Carrier Commercial Refrigeration, Inc.  
 Rockton, Illinois 61072  
 815-624-8333 800-255-0626 Fax 815-624-8000  
 www.taylor-company.com

Printed in U.S.A.  
 036089-ADV 11/04