

# Stacked Rotisseries

**SCR-12** Twelve Spit Stacked

**SCR-16** Sixteen Spit Stacked

Shown at right: SCR-16 with 16 angled spits.

*Stacked Rotisseries combine popular rotisserie-style roasting in mobile, high-capacity units with the flexibility of separate cabinets and controls.*

## Description

High volume, twin cabinet electric rotisseries with programmable controls.

## Configuration

- The SCR-12 consists of two SCR-6 countertop rotisseries.
- The SCR-16 consists of two SCR-8 countertop rotisseries.

Single cabinet rotisseries are stacked using a special stacking kit shipped with units. Heavy duty locking caster set or adjustable legs are available for the lower unit.

## NEW! SCR-16 only



- Solid back option.
- Lower 3 in. (76mm) casters standard.
- Low-profile outboard mounted casters available.

## Main Features

- Digital electronic controls with 9 programmable cook cycles for each cabinet.
- LED panel with separate, simultaneous time and temperature displays.



- Spit rotation switch for easy loading.
- Large, attractive tempered glass doors, front and back (solid back, optional)
- Auto-stop rotation when doors open.
- THERMA-VEC® Even Heat Process combines infrared heating with gentle, cross-flow convection.
- Simple three-piece drive tube and rotor assembly.
- Drive assembly and drain pans are easily disassembled for quick clean-up.
- Easy-to-clean coated parts available separately.

## Available options:

- Coated angled or piercing spits, or coated wire baskets
- Mirrored door glass (control side only)
- Coated parts
- Portable heat shield for customer side
- Adjustable legs or set of four heavy-duty casters, two locking
- Optional low-profile outboard mounted casters (SCR-16 only)
- Door handle and rotation switch on customer side

## Accessories shipped with units:

SCR-12	SCR-16
4 Rotor Disks	4 Rotor Disks
12 Spits or Baskets	16 Spits or Baskets
2 Drive Tubes	2 Drive Tubes
2 Food Probes	2 Food Probes
Stacking Kit #02664	Stacking Kit #02665

**Henny Penny Corporation**  
P.O. Box 60  
Eaton, OH 45320

+1 937 456.8400  
+1 937 456.8402 Fax

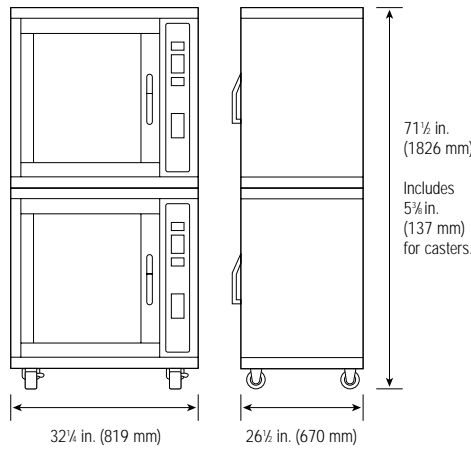
**Toll free in USA**  
**800 417.8417**  
**800 417.8402 Fax**

[www.hennypenny.com](http://www.hennypenny.com)

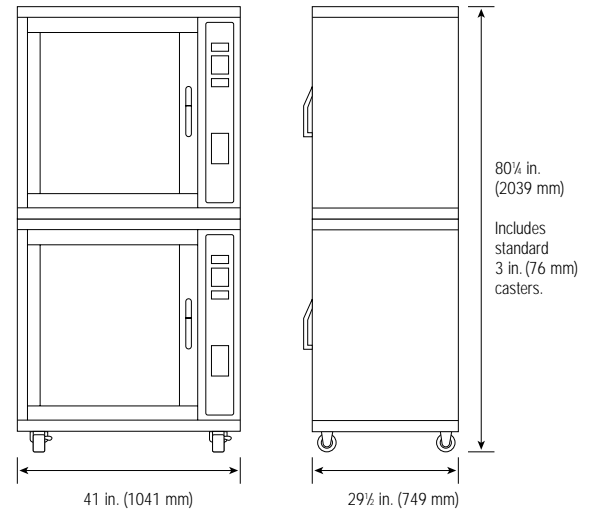
# SCR-12 SCR-16 Specifications

## Dimensions

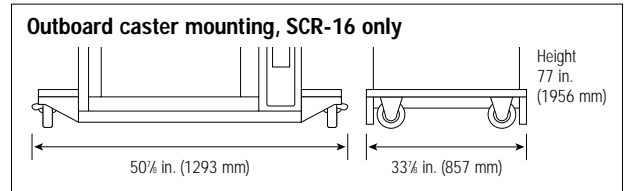
**SCR-12**



**SCR-16**



NOTE: Add 2 1/4 in. (57 mm) depth for each door handle.  
NOTE: Lower height and extra width and depth for outboard caster mounting shown at right. Available on SCR-16 only.



## Clearances

Back: 3 in. (76 mm) 2 in. (51 mm) for solid back  
Side: 1 in. (25 mm)

## Capacity

**SCR-12**

No. of spits	Type of spit	Whole chickens 2 1/2 lbs. (1.1 kg)	
		Per spit	Total
12	Angled	3	36
12	Piercing	4	48
12	Basket	3	36

**SCR-16**

No. of spits	Type of spit	Whole chickens 2 1/2 lbs. (1.1 kg)	
		Per spit	Total
16	Angled	4	64
16	Piercing	5	80
16	Basket	4	64

## Lighting

(8) 150w tungsten halogen lamps

(8) 150w tungsten halogen lamps

## Shipping Weight

762 lbs. (346 kg)

942 lbs. (428 kg)

## Listings

UL, UL Sanitation, CUL, CE

UL, UL Sanitation, CUL, CE

## Electrical

Each cabinet wired separately with separate power cord. Electrical specifications below are per cabinet.

Voltage	Phase	Cycle/Hz	KW	Amps
208	1 or 3	50 or 60	6.8	32.7 or 22.8
240	1 or 3	50 or 60	6.8	28.3 or 19.7
400	3	50 or 60	6.8	13.5
All international voltages available				
Plug type:	1 phase units: NEMA 6-50P		3 phase units: NEMA 15-30P	
Units wired for international electrical specifications do not include power cord or plug.				

Voltage	Phase	Cycle/Hz	KW	Amps
208	1 or 3	50 or 60	11.1	50.5 or 33.6
240	1 or 3	50 or 60	11.1	46.0 or 29.1
400	3	50 or 60	11.1	19.3
All international voltages available				
Plug type:	3 phase units: NEMA 15-50P			
Units wired for international electrical specifications do not include power cord or plug.				

Specifications subject to change without notice

## Order from:

Manufactured by:

**Henny Penny Corporation**  
P.O. Box 60  
Eaton, OH 45320