

PROJECT	QUANTITY	ITEM NO
---------	----------	---------

# Merchandiser bases

## Island profile, pedestal base

MODEL **IP-3** profile  
**IP-5** profile  
**PBI-280** pedestal



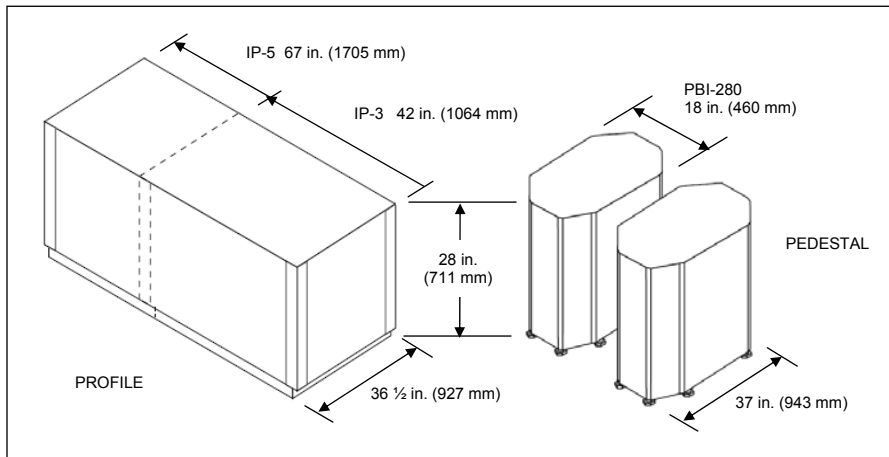
### General Information

The Henny Penny island profile base is a continuous length recessed base. The island pedestal base is made up of two pedestals with angled panels for an open, contemporary look. Both styles are available for Henny Penny 3 and 5-well island merchandisers.

Island pedestal base model PBI-280 shown with HMI-103 heated merchandiser.

### Standard Features

- Rugged stainless steel construction with sturdy structural framework.
- Recessed installation to avoid grocery cart damage.
- Snap-in side panels on pedestals.
- Recessed kicker panel on profile.
- Available in white, cream, or stainless steel finish or custom painted to match store décor.



### Laboratory certifications



### Bidding Specifications

- Provide Henny Penny island merchandiser base unit in either profile or pedestal style, for use with Henny Penny HMI-103 or HMI-105 island merchandisers, sold separately.
- Units shall be made of stainless steel panels and structural steel framework.
- Profile style shall have recessed kicker panel. Pedestal base shall be composed of two pedestal units boxed separately and includes connector kit.

### Dimensions

Model	Length	Depth	Height
IP-3	42 in. (1064 mm)	36 ½ in. (991 mm)	28 in. (711 mm)
IP-5	67 in. (1705 mm)	36 ½ in. (991 mm)	28 in. (711 mm)
PBI-280	(2) pedestals	37 in. (943 mm)	28 in. (711 mm)

### Crated dimensions

Model	Length	Depth	Height	Volume	Weight
IP-3	49 ¾ in. (1264 mm)	48 ¾ in. (1238 mm)	40 in. (1016 mm)	56.0 cu.ft. (1.57 m³)	195 lbs. (89 kg)
IP-5	75 ¾ in. (1924 mm)	48 ¾ in. (1238 mm)	40 in. (1016 mm)	85.5 cu.ft. (2.39 m³)	246 lbs. (112 kg)
PBI-280	40 in. (1016 mm)	21 ¼ in. (540 mm)	29 ¼ in. (749 mm)	14.5 cu.ft. (0.41 m³)	Contact Henny Penny

(1) pedestal per box, (2) required per island unit

<input type="checkbox"/> APPROVED	<input type="checkbox"/> APPROVED AS NOTED	<input type="checkbox"/> RESUBMIT
AUTHORIZED SIGNATURE		DATE



Henny Penny Corporation  
 PO Box 60 Eaton OH 45320 USA  
 +1 937 456.8400 800 417.8417  
 +1 937 456.8434 Fax 800 417.8434 Fax  
[www.hennypenny.com](http://www.hennypenny.com)