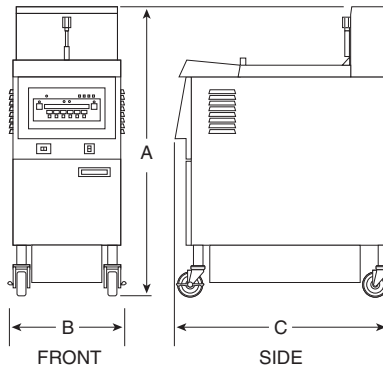




OFG-321 Gas Single Well Open Fryer

OFG-321 Gas Open Fryer Electrical Option	Wendy's Identification Number	
	Natural Gas	Propane Gas
120V; 1Ph; 60Hz	J0724	J0725
230V; 1Ph+N; 50Hz (CE)	J0726	J0727
220-240V; 1Ph; 50Hz	J0728	J0729
OFE-320 & OFG-320 Series Open Fryer Joining Kit	J0502	



- Durable, plastic coated handles improve comfort and grip.
- Touch pad electronic controls feature six programmable cook cycles with digital display for accurate time and temperature settings
 - Dual timer allows each of two half baskets to be separately timed
 - Load compensation feature
 - Cook cycle completion signal
- Engineered for energy efficient operation
- Stainless steel rectangular fry pot promotes more even cooking
- Specially designed cold zone prevents scorching
- Convenient, built-in filter system
- Top quality stainless steel construction
- Hinged door for convenient access
- Heavy duty locking casters
- Joining kit (available separately) attaches unit to other OFG-321, OFG-322, or OFG-323 gas open fryers

SPECIFICATIONS:	OFG-321 Gas Single Well	Built-in Filter System:
Height (A)	44" (1118 mm) Height includes casters	Convenient, built-in filter system recycles filtered shortening to fry pot. Pump old shortening into FS-100 Fryer Shuttle (must be purchased separately) for easy disposal in proper container. No need to ever handle hot shortening!
Width (B)	17 3/8" (441 mm)	Accessories shipped with unit:
Depth (C)	35 3/8" (899 mm)	(2) Half baskets with handles and fill bars
Floor Space	Approx. 4.3 sq. ft. (.40 m ²)	Basket supports
Pot Capacity	Shortening: 55 lbs. (25.0 kg)	(4) Heavy duty casters, two locking
Electrical	120V; 1Ph; 60Hz; 12.0A* 230V; 1Ph+N; 50Hz; 2.5A 240V; 1Ph; 50Hz; 2.5A	4-foot flexible gas line with double swivel
Heating	Gas burners, Natural or Propane gas, 85,000 BTU/hr (25KW)	Complete operations manual
Shipping Weight	305 lbs. (138.5 kg)	
Carton Shipping Cube	27.68 cu. ft. (0.78 m ³)	
Listings	CSA, UL Sanitation, CE	

* 120V unit includes electrical cord with NEMA 5-15P plug. Each electrical cord is coiled with a four-foot (1.2 m) reach. Specifications subject to change without notice.

Warranty: 7 years frypot, 2 years parts, 1 year labor.
 Terms: Corporate purchase orders: 1/10, net 30.
 Franchise orders: payment in advance with 1% discount.
 To order: Contact Henny Penny Corporation or your nearest approved Wendy's equipment supplier.
 WEBECO Vendor No. 000009297

Henny Penny Corporation
 P.O. Box 60
 Eaton, OH 45320
 +1 937 456.8400
 +1 937 456.8434 Fax

Toll free in USA
 800 417.8417
 800 417.8434 Fax

www.hennypenny.com

